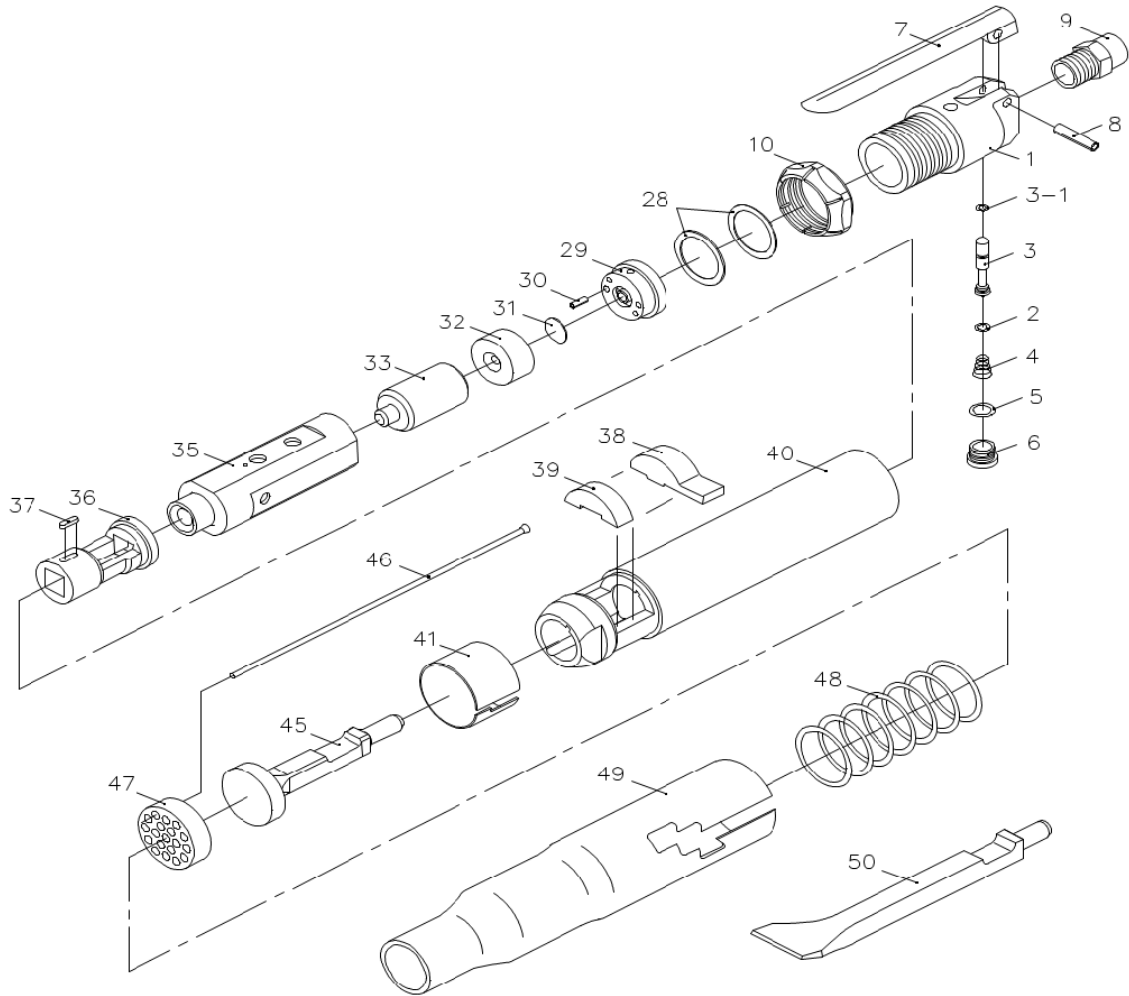




GP-0316 AIR NEEDLE SCALER



www.air-allied.com.au



PARTS DESCRIPTION

NO.

- 01. **BACKHEAD**
- 02. **"O" RING (P4)**
- 03. **THROTTLE VALVE**
- 03-1. **"O" RING (P3.5x1.5)**
- 04. **SPRING**
- 05. **"O" RING (8x2.5)**
- 06. **VALVE CAP**
- 07. **LEVER**
- 08. **PIN (5x22)**
- 09. **HOSE ADAPTER**
- 10. **LOCKING RING**
- 28. **ALIGNMENT SHIM**
- 29. **REAR VALVE BLOCK**
- 30. **PIN (3x14) (2)**
- 31. **VALVE**
- 32. **FRONT VALVE BLOCK**

PARTS DESCRIPTION

NO.

- 33. **PISTON**
- 35. **BARREL SLEEVE**
- 36. **NOSE**
- 37. **KEY**
- 38. **DRIVER RETAINER**
- 39. **RETANER BUFFER**
- 40. **BARREL ASS'Y**
(INCL: ITEMS 35,36,37)
- 41. **RETANER CLIP**
- 45. **NEEDLE DRIVER**
- 46. **3MM NEEDLE SET (19)**
- 47. **NEEDLE HOLDER**
- 48. **SPRING**
- 49. **NEEDLE TUBE**
- 50. **CHISEL**